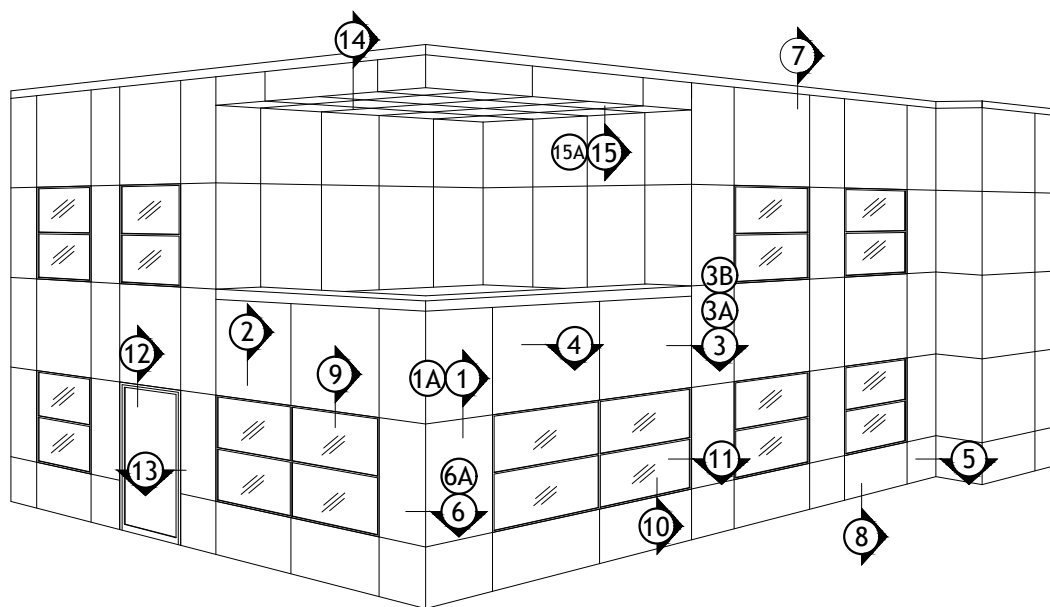


UNIVERSE[®] 7000 with EQUITONE on Metal Studs Standard Details



UNIVERSE[®] 7000 with EQUITONE on Metal Studs Components

Supplied by Universe

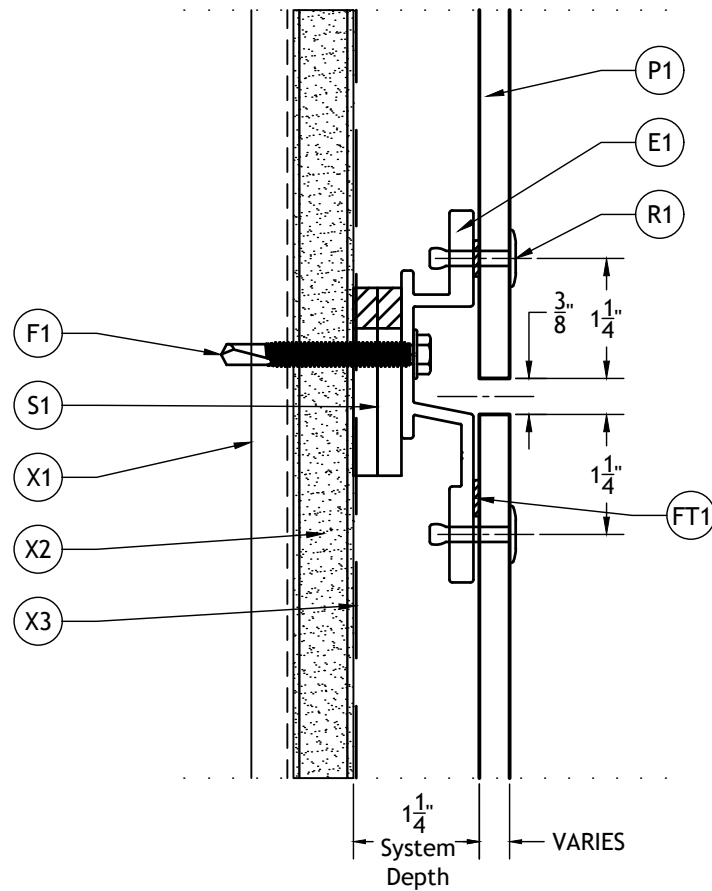
- Ⓟ1 EQUITONE Panel
- ⓔ1 Hanger Rail (Field Installed)
- ⓔ2 Rail Splice (Field Installed)
- ⓔ3 Intermediate Rail (Field Installed)
- Ⓡ1 Panel Rivet (Field Installed)
- Ⓣ1 Vent Closure (Field Installed)
- Ⓣ2 Corner Closure (Field Installed)
- Ⓣ3 System Closure (Field Installed)
- Ⓣ4 Joint Closure (Field Installed)
- Ⓢ1 Two 1/4" Shims (Field Installed)
- ⓈT1 Adhesive Tape (Field Installed)
- ⓉT1 Foam Tape (Shop Installed)

Supplied by Others

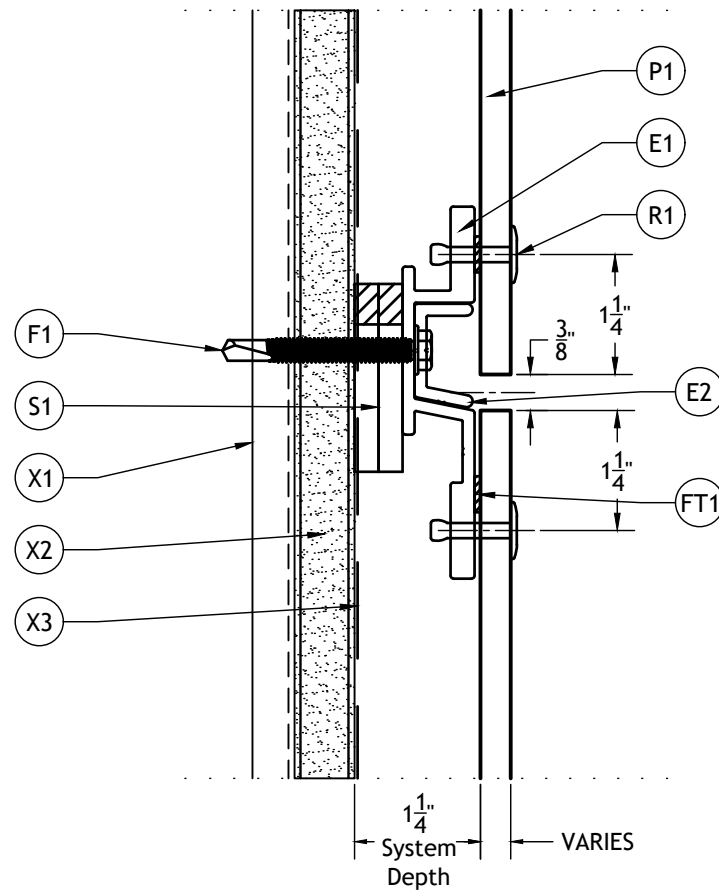
- Ⓧ1 Metal Stud Framing (16 GA. Minimum)
- Ⓧ2 Sheathing
- Ⓧ3 Air/Moisture Barrier
- Ⓧ4 Parapet Coping
- Ⓧ5 Window Mullion
- Ⓧ6 Door Framing
- Ⓧ7 Flashing (Sill, Head, or Jamb)
- Ⓧ8 Adjacent Material
- ⓕ1 Extrusion Fastener
- ⓕ2 Closure Fastener
- ⓕ3 Rail Splice Fastener

Note: The 3 fasteners (Extrusion, Closure, and Rail Splice) can be supplied by Universe upon request at an additional cost.

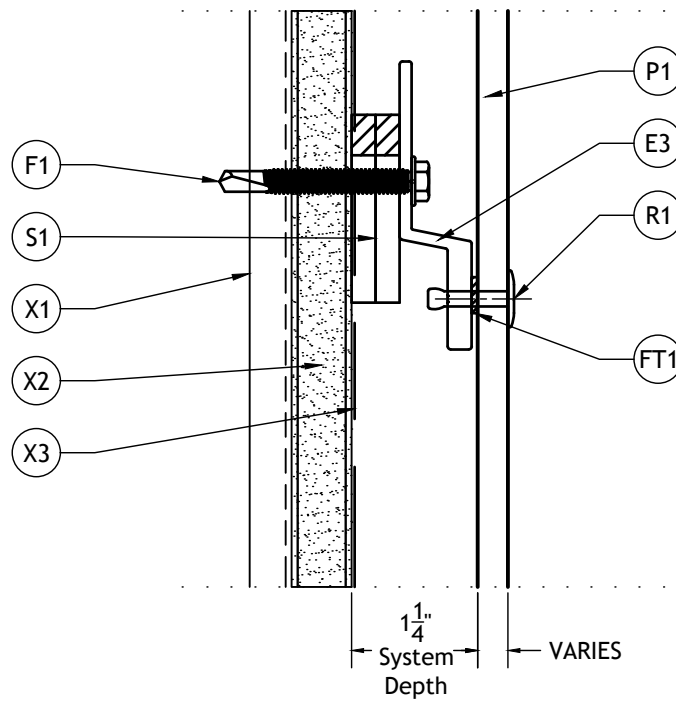
UNIVERSE[®] 7000 with EQUITONE on Metal Studs 1 Horizontal Panel Joint



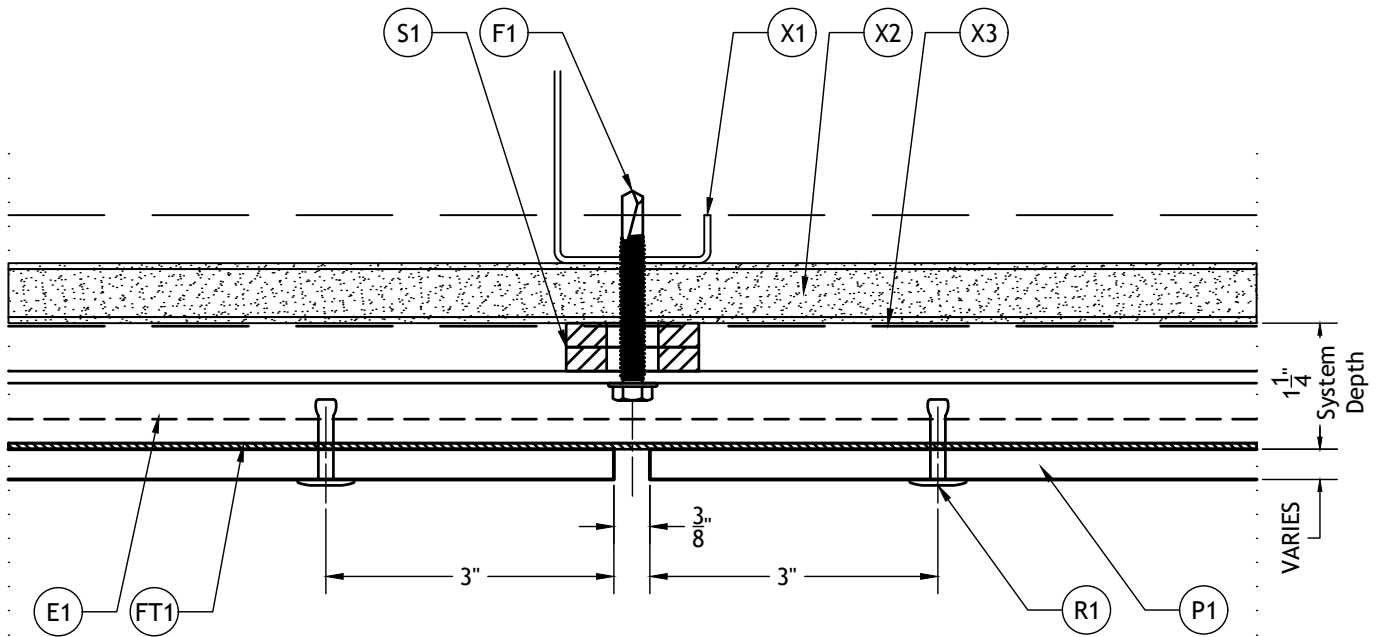
UNIVERSE[®] 7000 with EQUITONE on Metal Studs 1A Horizontal Panel Joint - Splice



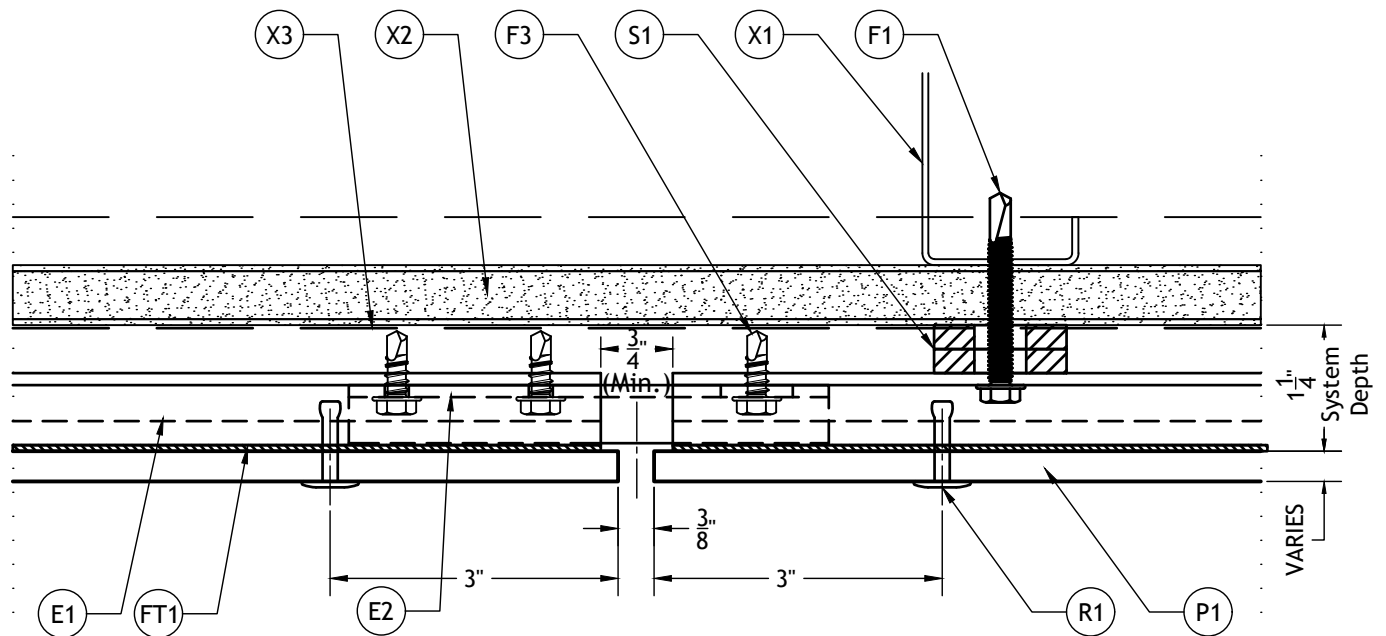
UNIVERSE[®] 7000 with EQUITONE on Metal Studs 2 Horizontal Mid Panel



UNIVERSE[®] 7000 with EQUITONE on Metal Studs 3 Vertical Panel Joint

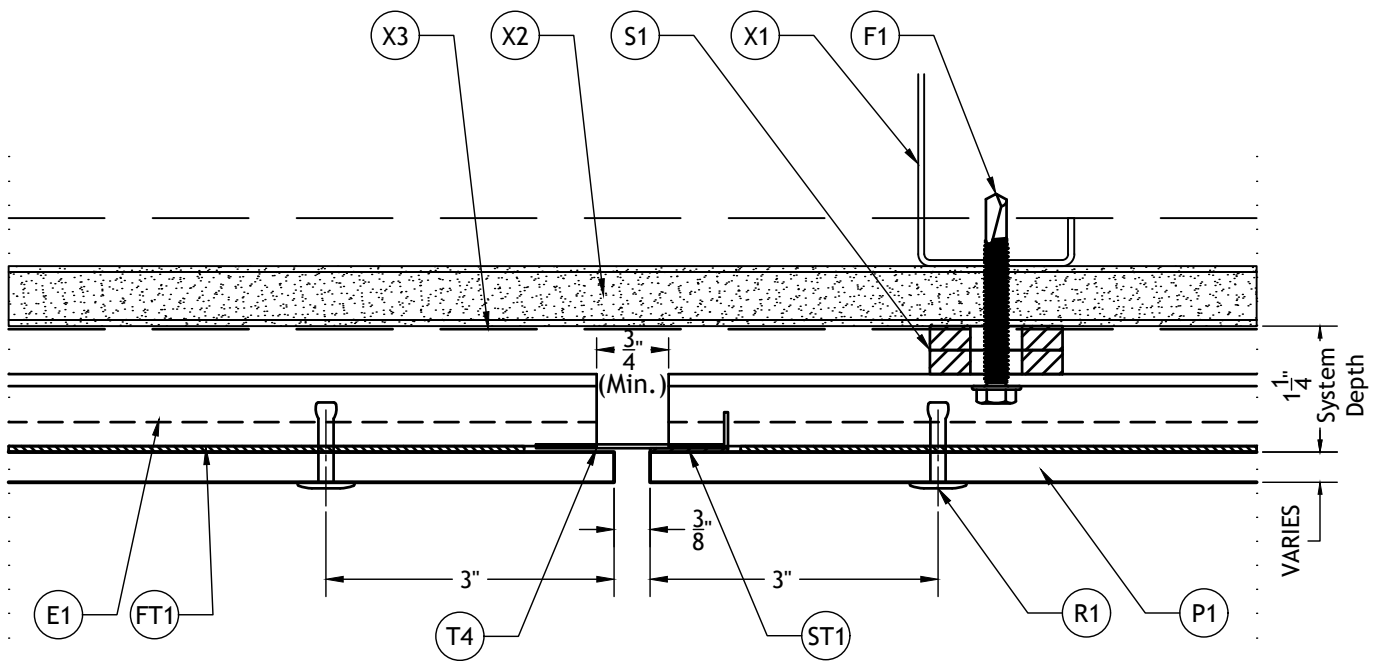


UNIVERSE[®] 7000 with EQUITONE on Metal Studs 3A Vertical Panel Joint - Splice



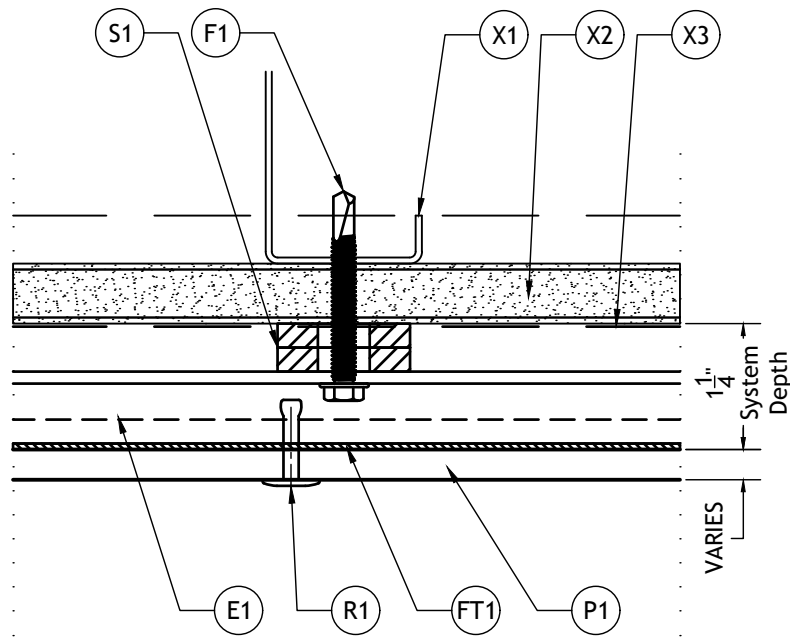
Note: EQUITONE guidelines require that the aluminum support frame system must be designed in a way that allows the material to expand and contract. Please see EQUITONE's Application Guide for further information.

UNIVERSE[®] 7000 with EQUITONE on Metal Studs 3B Vertical Panel Joint - Joint Closure

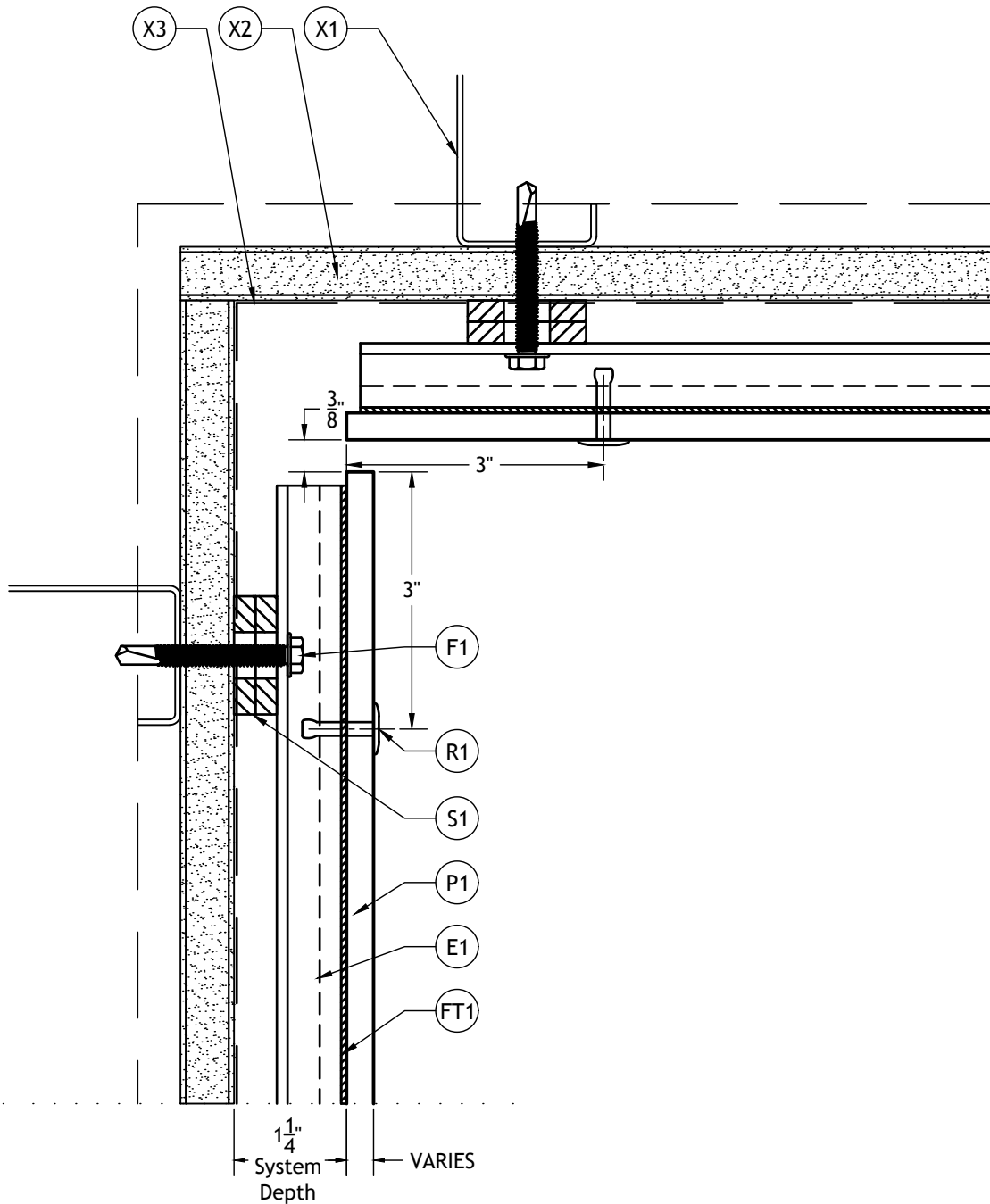


Note: This detail is a premium over Detail 3 due to the extra material.

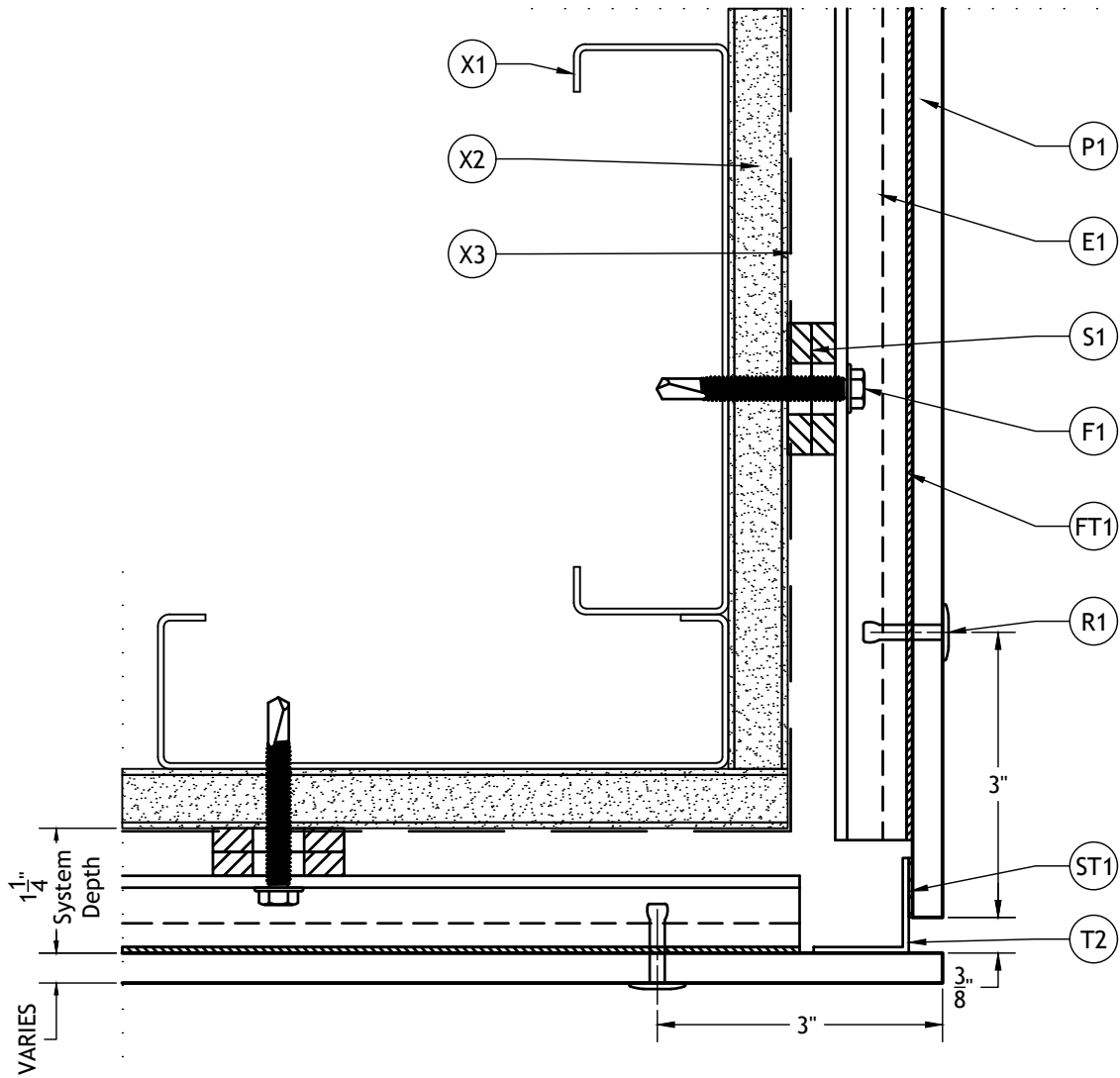
UNIVERSE[®] 7000 with EQUITONE on Metal Studs 4 Vertical Mid Panel



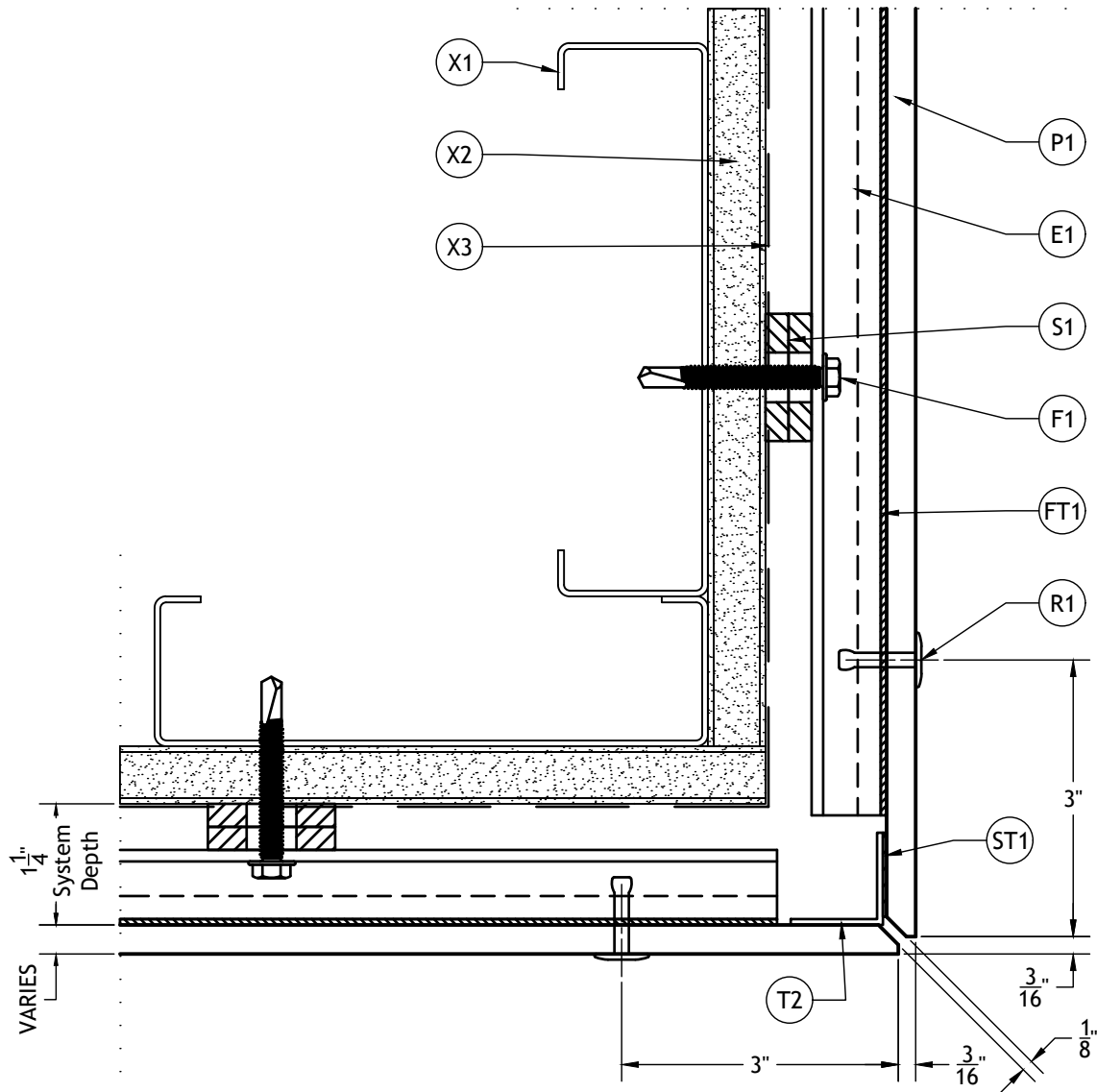
UNIVERSE[®] 7000 with EQUITONE on Metal Studs 5 Inside Corner



UNIVERSE[®] 7000 with EQUITONE on Metal Studs 6 Outside Corner

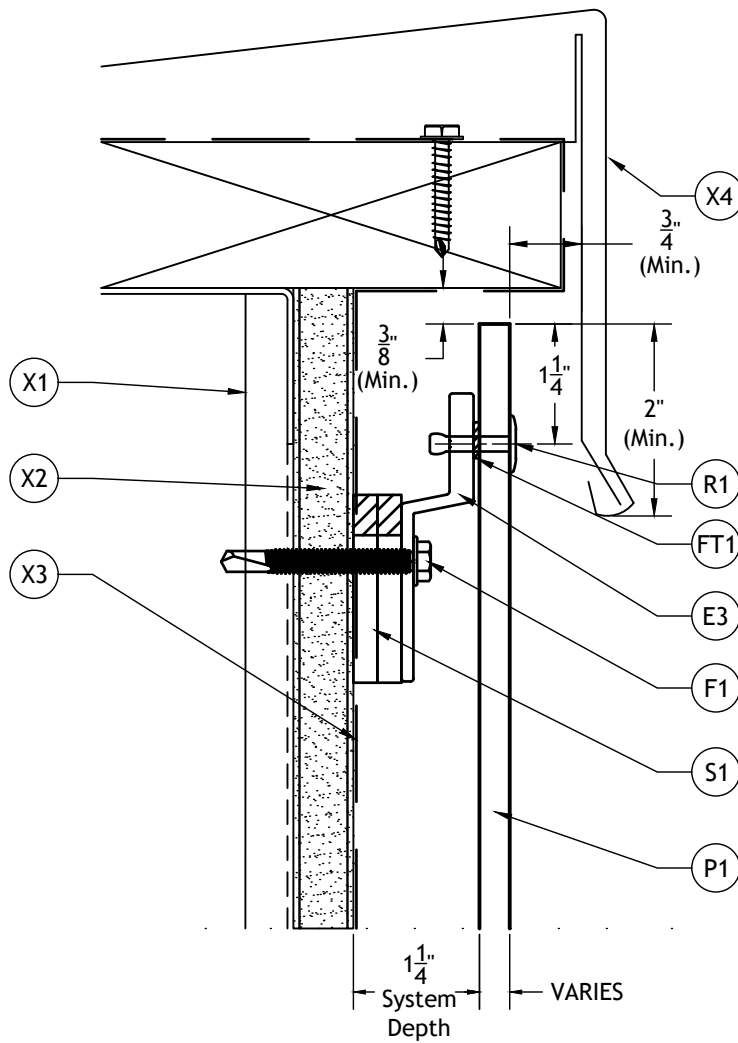


UNIVERSE[®] 7000 with EQUITONE on Metal Studs 6A Outside Corner - Mitered

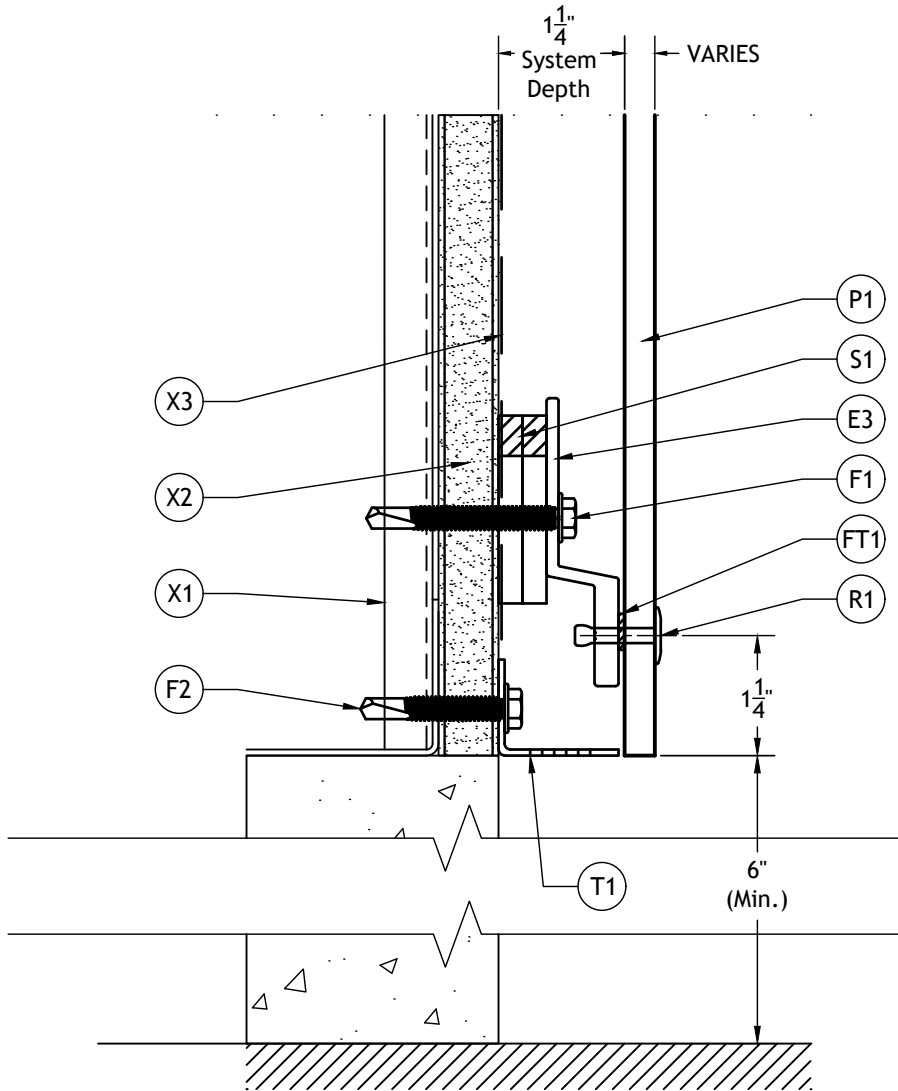


Note: This detail is a premium over detail 6 due to the extra material & fabrication effort. Corner closures (T2) and adhesive tape (ST1) for mitered corners are not standard, and to be included at additional cost only if specified.

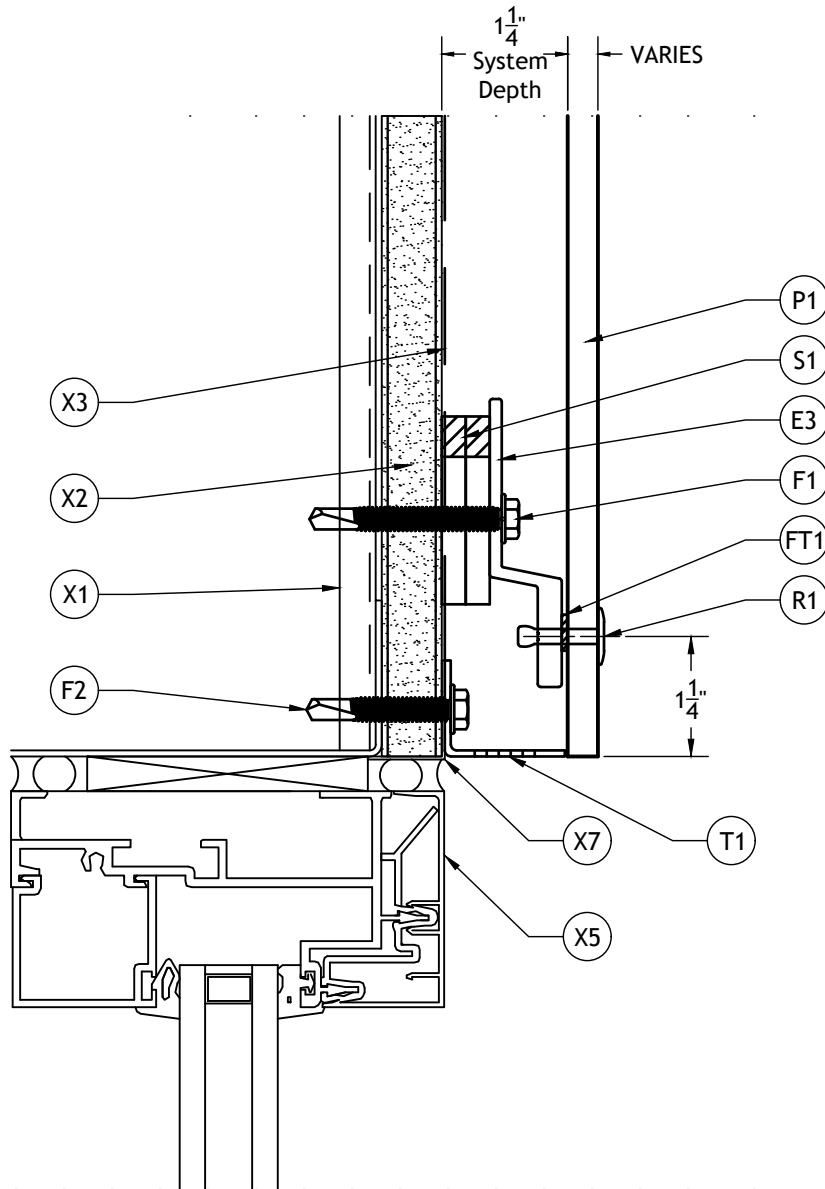
UNIVERSE[®] 7000 with EQUITONE on Metal Studs 7 Top of Wall



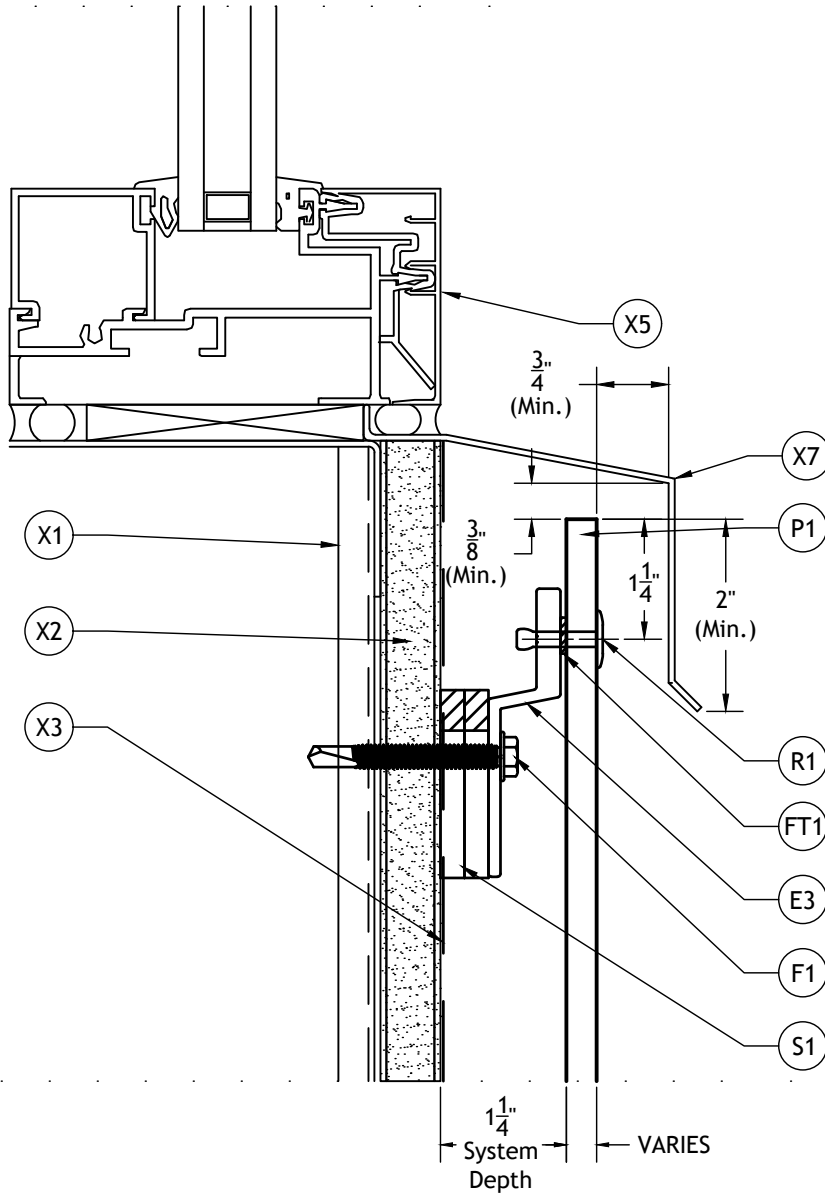
UNIVERSE[®] 7000 with EQUITONE on Metal Studs 8 Bottom of Wall



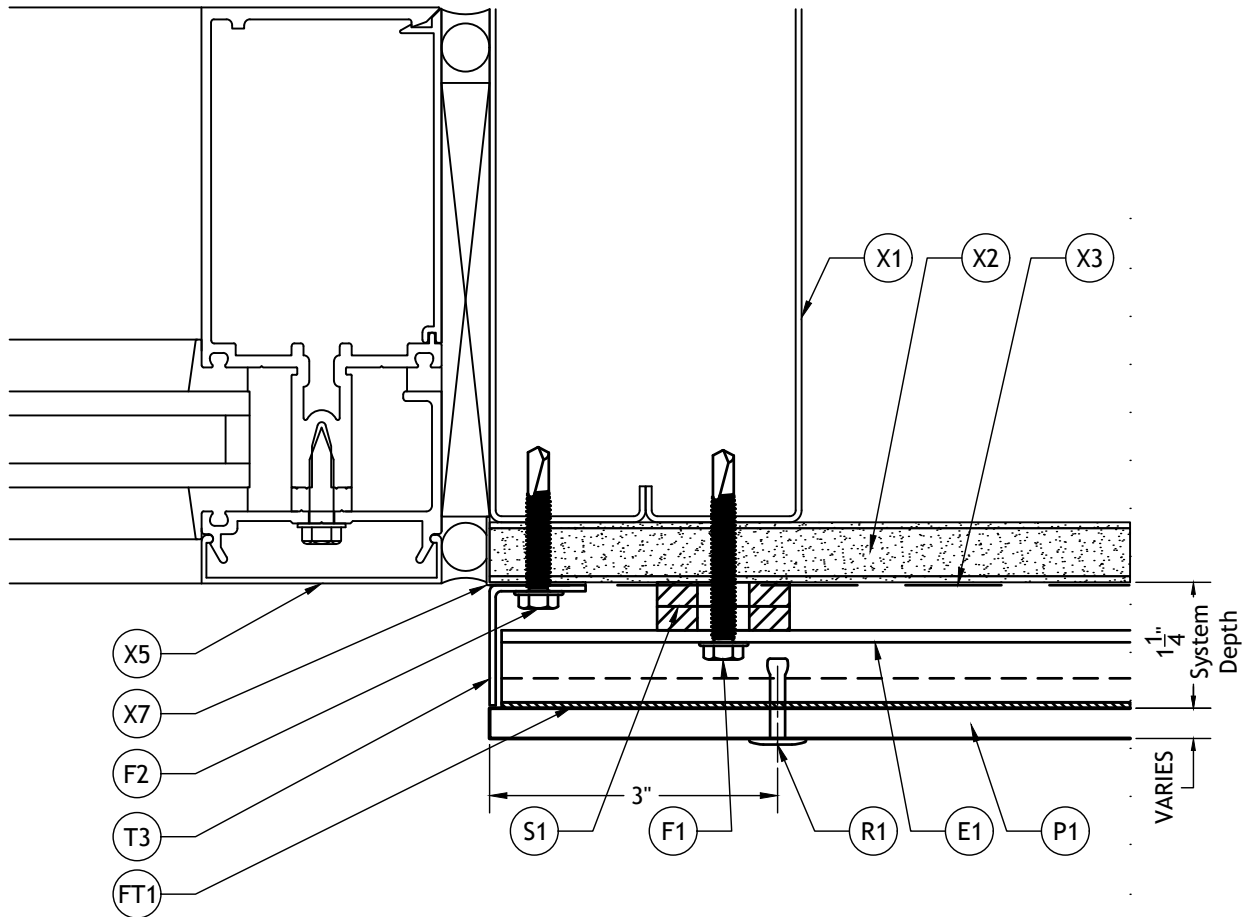
UNIVERSE[®] 7000 with EQUITONE on Metal Studs 9 Window Head



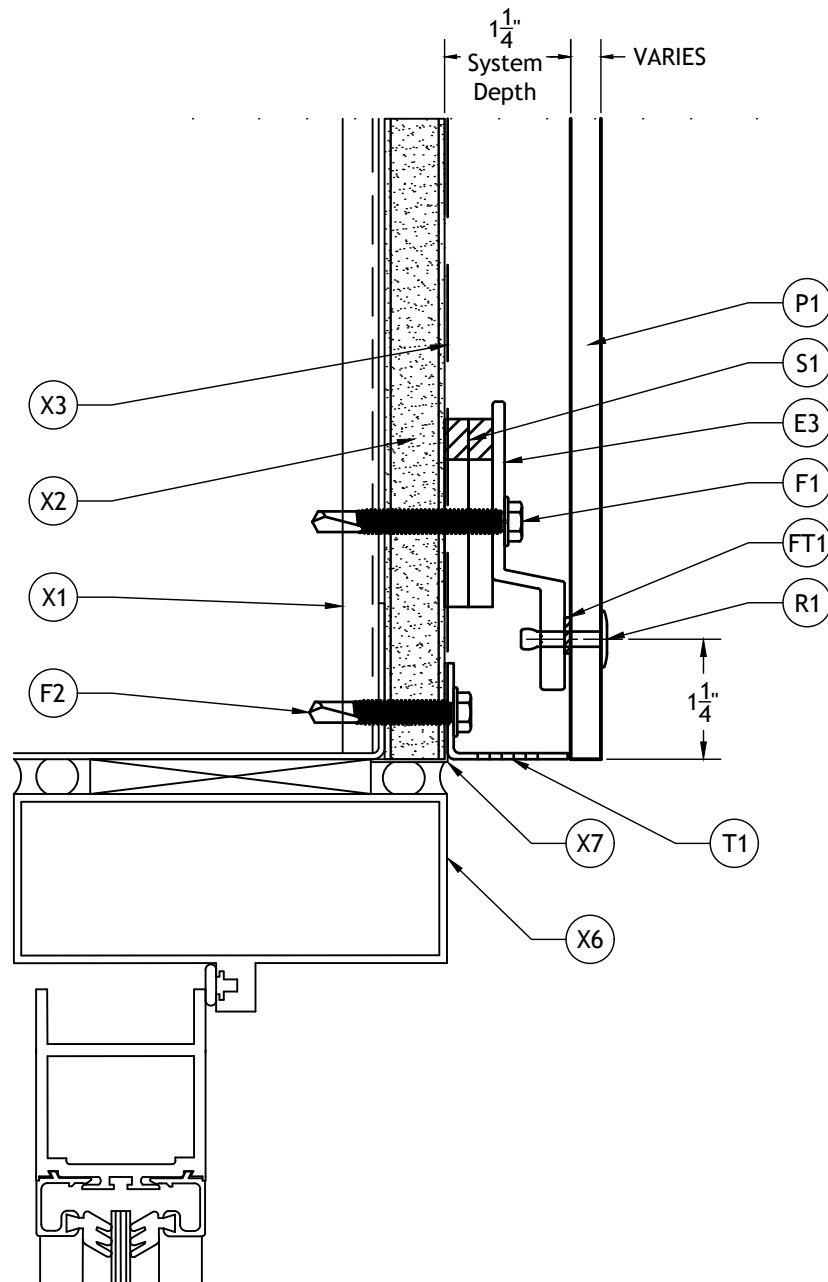
UNIVERSE[®] 7000 with EQUITONE on Metal Studs 10 Window Sill



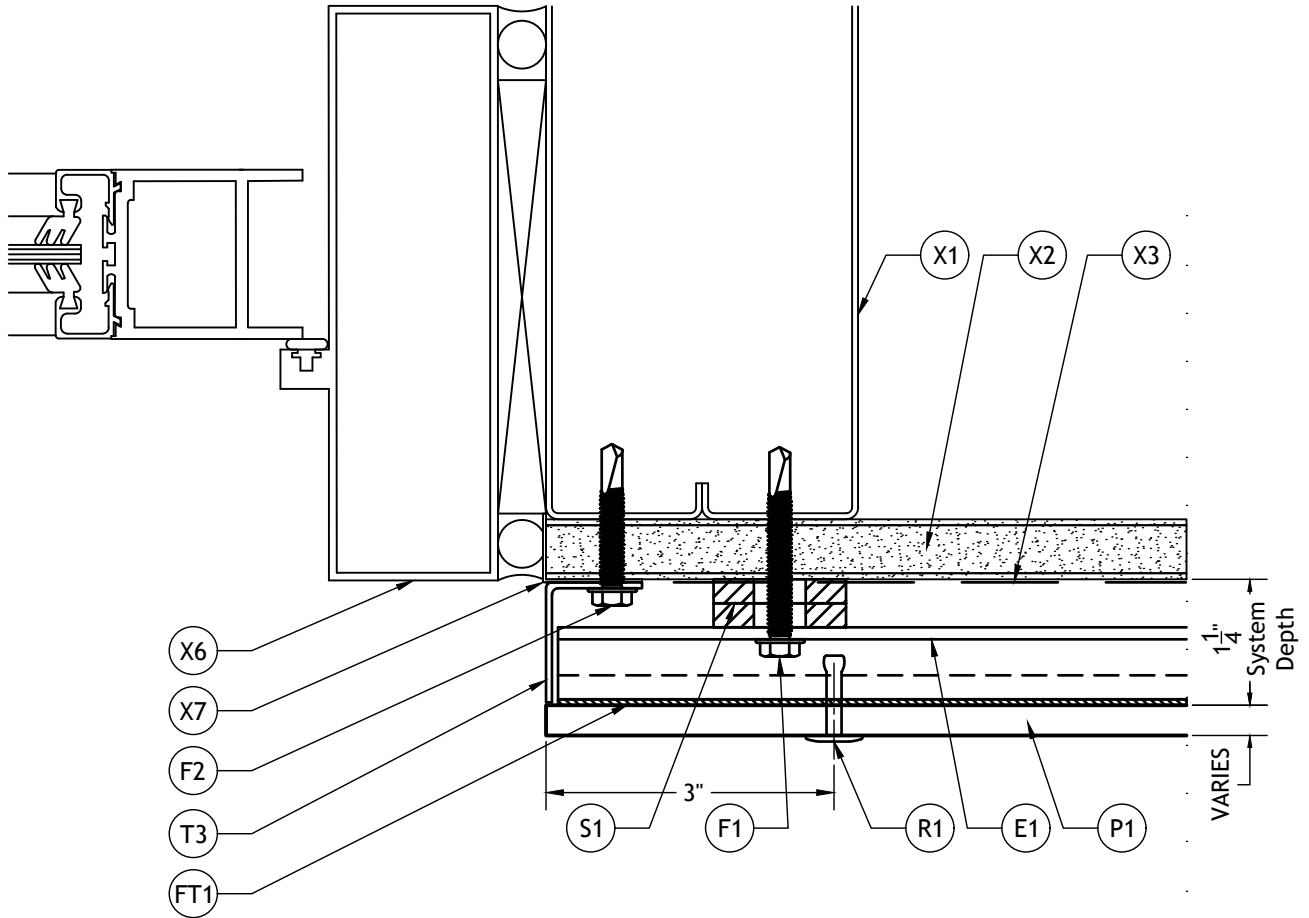
UNIVERSE[®] 7000 with EQUITONE on Metal Studs 11 Window Jamb



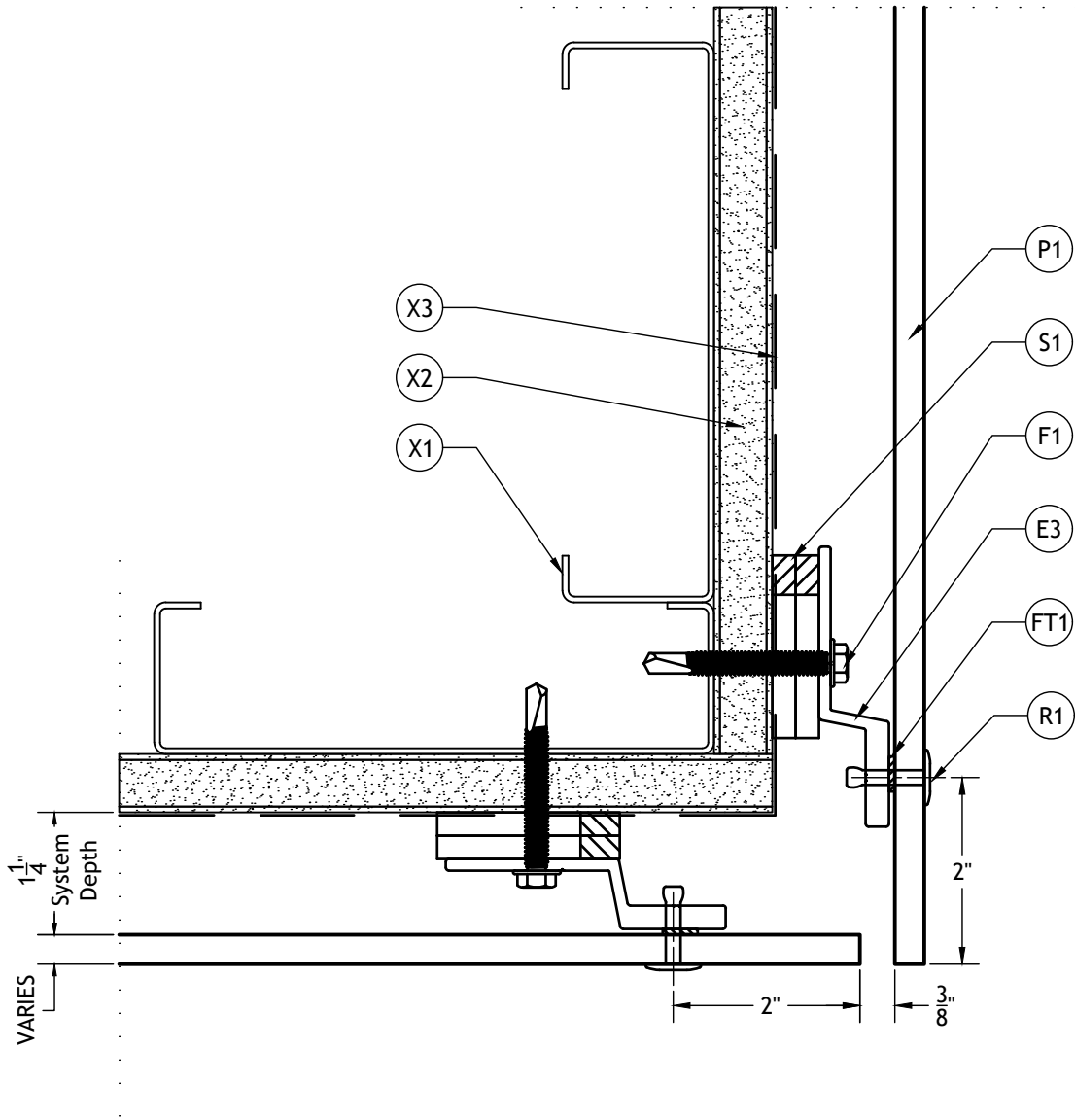
UNIVERSE[®] 7000 with EQUITONE on Metal Studs 12 Door Head



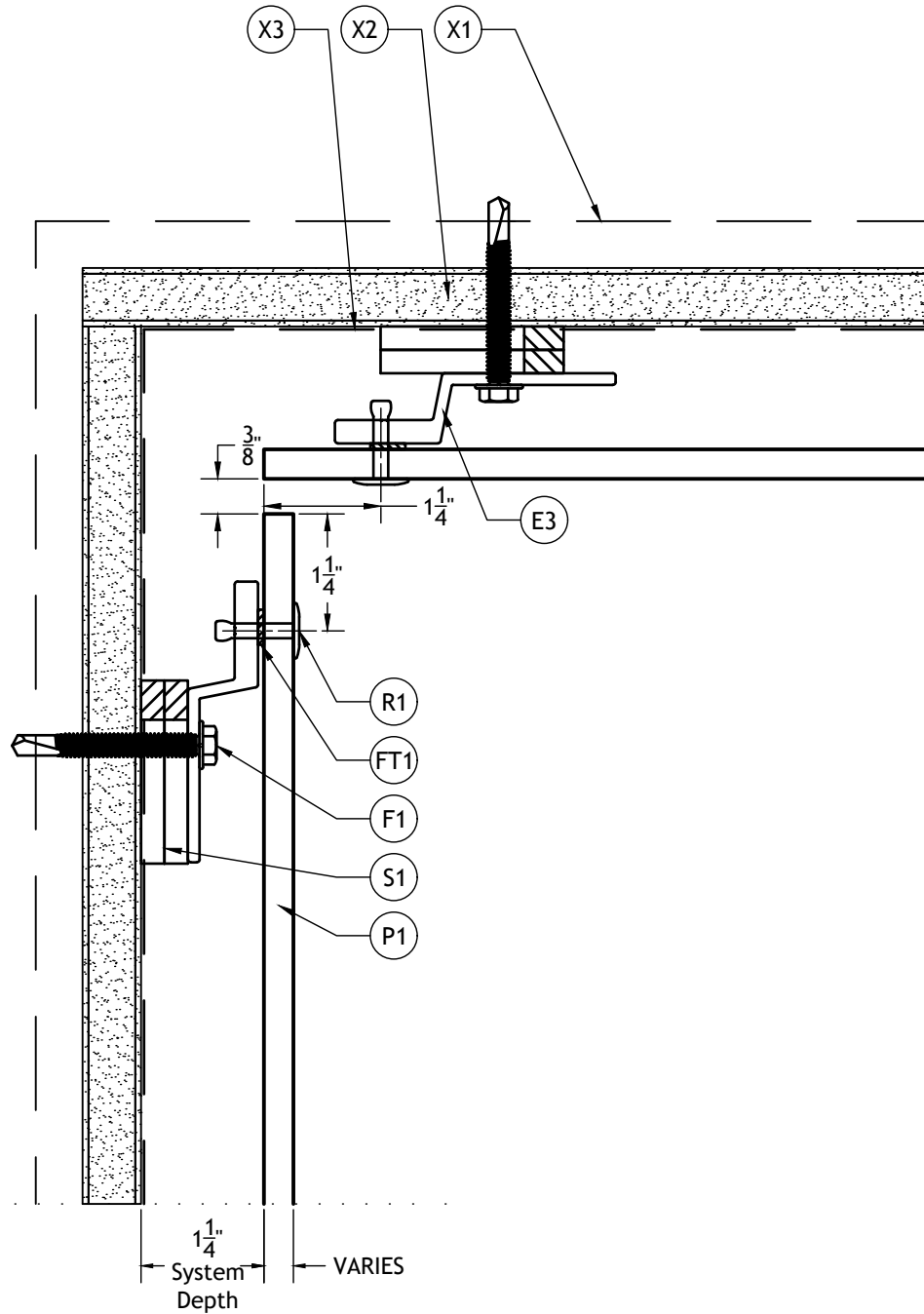
UNIVERSE[®] 7000 with EQUITONE on Metal Studs 13 Door Jamb



UNIVERSE[®] 7000 with EQUITONE on Metal Studs 14 Soffit to Fascia Transition



UNIVERSE[®] 7000 with EQUITONE on Metal Studs 15 Top of Wall - Soffit Transition



UNIVERSE[®] 7000 with EQUITONE on Metal Studs 15A Top of Wall - By Others

